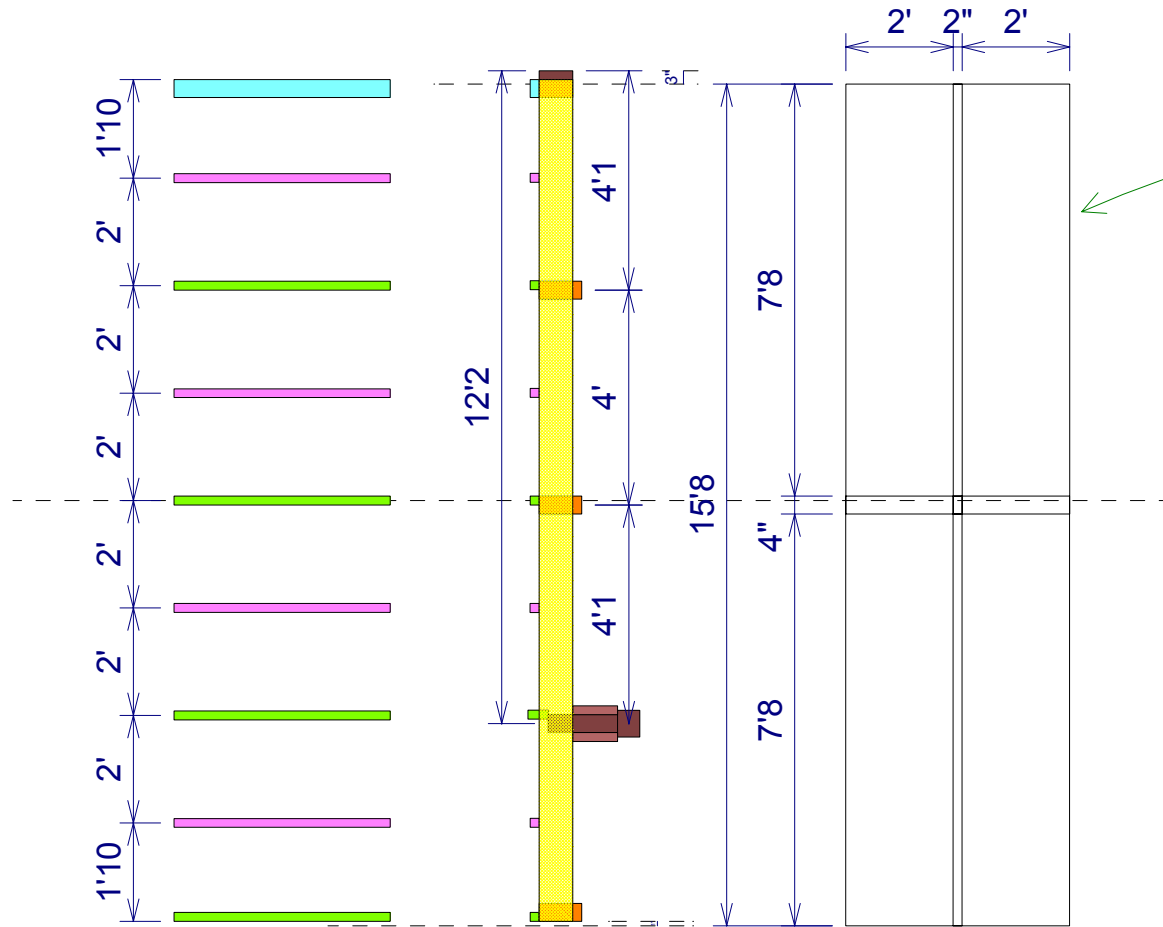
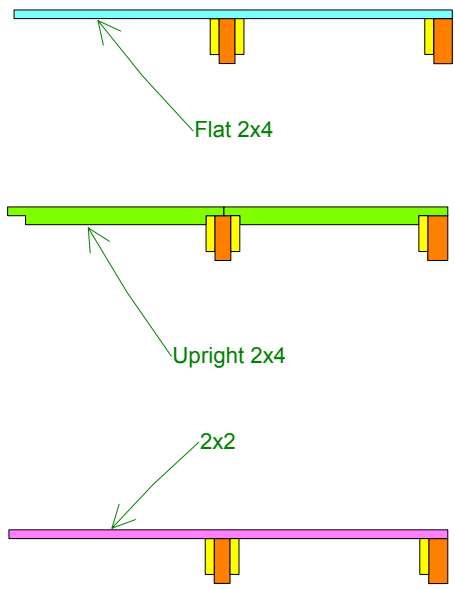


DRAWING 7
Suntuf Panel Installation Details



2' x 8' Suntuf panels
 2" horizontal overlap
 6" vertical overlap
 horizontal closure strips
 on each purlin
 vertical closure strips
 on outside rafters
 1" overhang